



**Technical data**

Voltage	U	230	V
Phase		1	~
Frequency	f	50	Hz
Speed	n	1350	RPM
Power consumption	P <sub>e</sub>	230	W
Nominal current	I <sub>nom</sub>	1.1	A
Maximum current	I <sub>max</sub>	1.2	A
Capacitor		06/400	μF/V
Ambient temperature	T <sub>amb min/max</sub>	-25...40	°C
Insulation Class		CLF	
IP Class Fan		IP55	
Sound pressure level (2 m)	L <sub>p (meas.)</sub>	61	db(A)
Sound pressure level (7 m)	L <sub>p (calc.)</sub>	50	db(A)
Weight		7.1	kg
Packing dimensions		510x510x315	mm

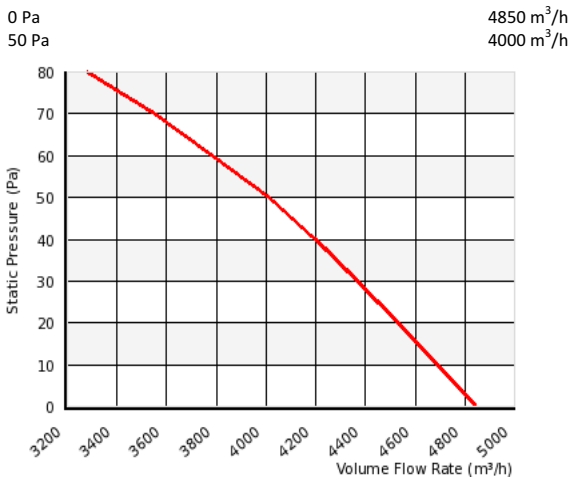
**Fan details**

Impeller blades	6
Impeller type	3
Impeller system	C
Impeller material	PP

**Control options**

Triac controller	Yes
Transformer	Yes
Frequency drive	No
Intelligent Fan Drive	Yes

**Characteristics**



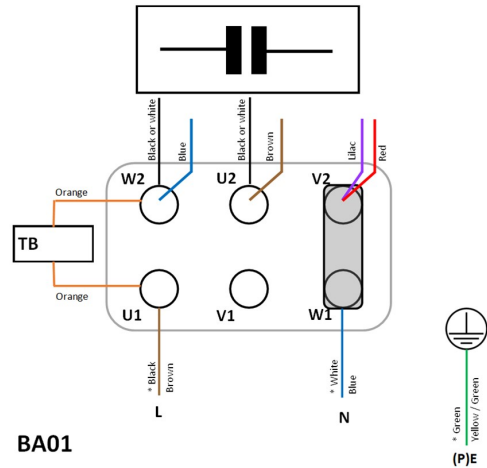
Please note: Picture may deviate from original product

**Approval(s)**



**Wiring diagram - Fan**

BA01 - 1 Phase - Standard - CCW



**Dimensions**

