

Applications



Poultry houses with Multifan fans in the Middle-East



Ventilation applied in poultry houses in the Middle East

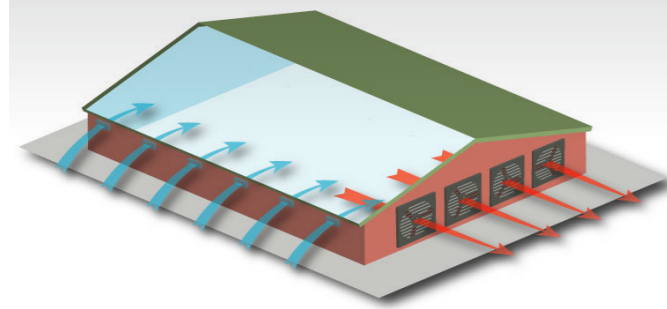


Fans applied in a tomato greenhouse in the Middle East

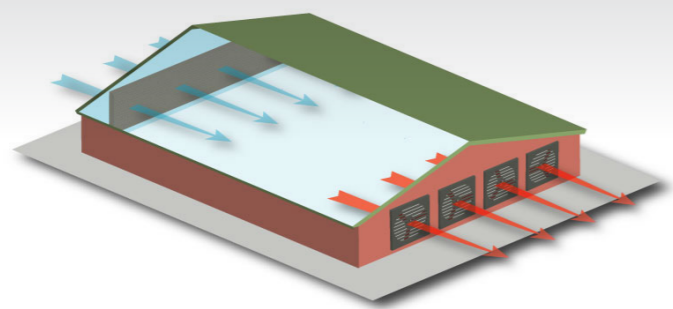


Ventilation in factories in Asia

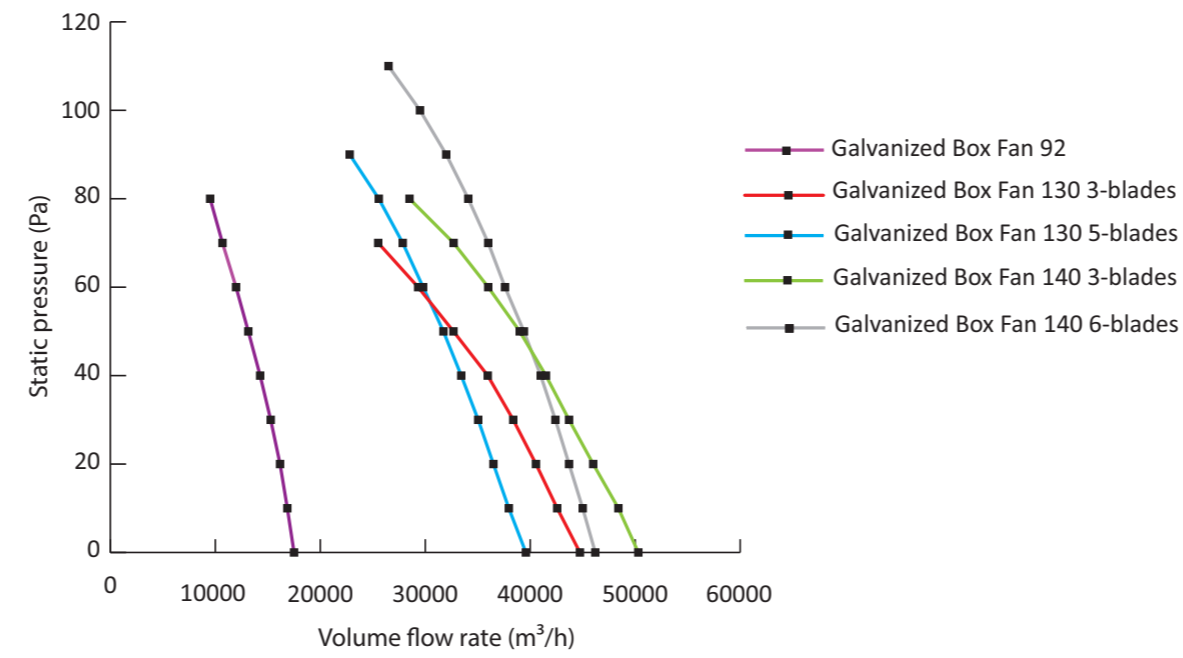
Length ventilation



Tunnel ventilation



Technical data



Dimensions (mm)

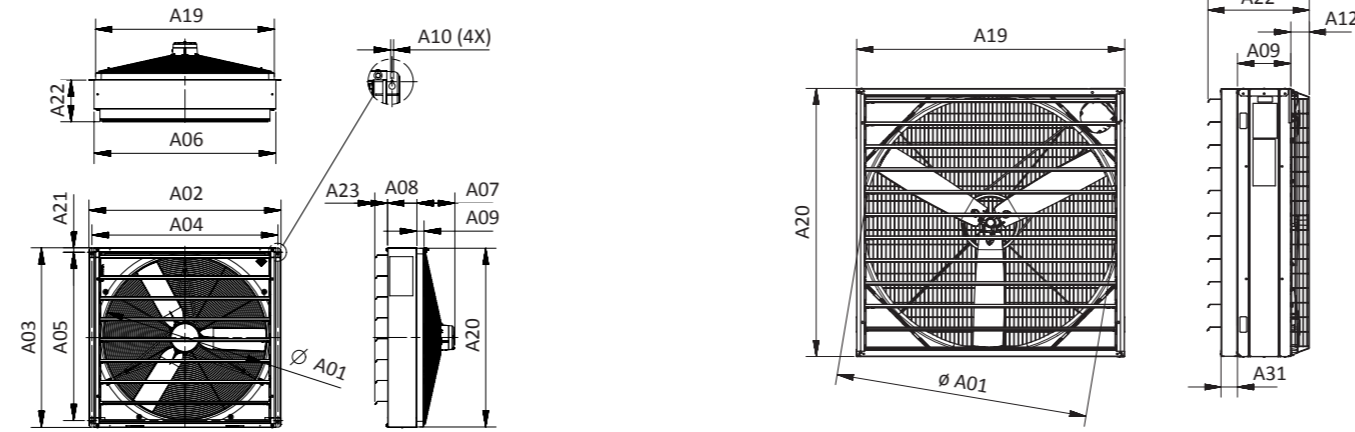


Figure 1: Multifan Galvanized Box Fan ϕ 92

Figure 2: Multifan Galvanized Box Fan ϕ 130 and ϕ 140

Figure	Type	A01	A02	A03	A04	A05	A06	A07	A08	A09	A12	A19	A20	A21	A22	A31
1	Galvanized Box Fan ϕ 92 ON/OFF	915	1080	1014	1046	947	1022	214*	165	40	6,5	1005	1005	25	234	72
2	Galvanized Box Fan ϕ 130	1284	-	-	-	-	-	-	-	275	96	1382	1382	-	523	85
2	Galvanized Box Fan ϕ 140	1375	-	-	-	-	-	-	-	295	96	1480	1480	-	548	85

*The Galvanized Box Fan 92 is also available with a controllable motor, A07 = 265 mm.

All rights reserved. Vostermans Companies is not responsible for inaccurate or incomplete data. In case of any questions and / or remarks please contact ventilation@vostermans.com.

Subject to alterations 09/2015



More details and contact

Vostermans Ventilation gives you free access to the complete details by scanning the QR-code. Call +31 (0)77 389 32 32 for direct information.



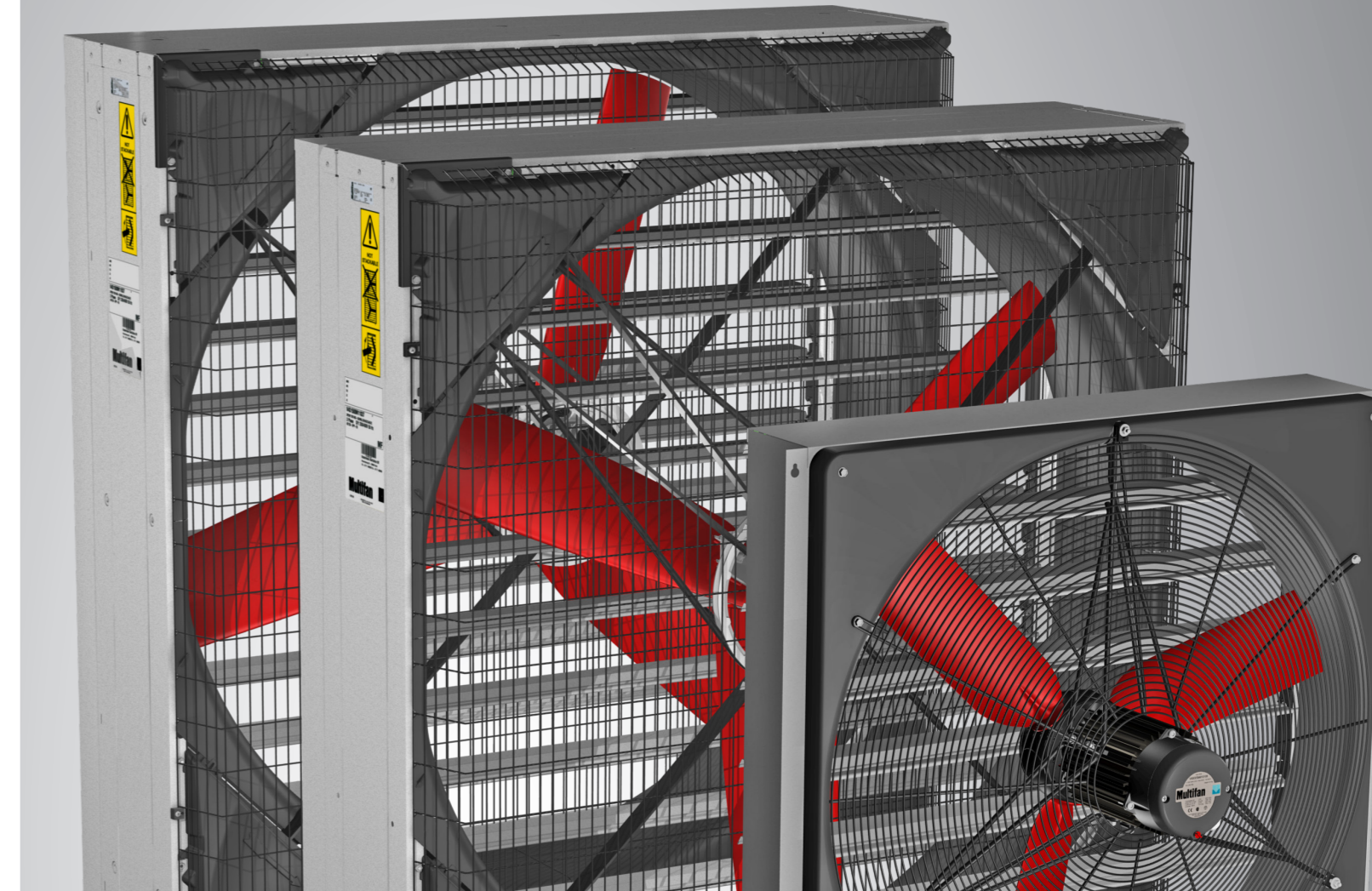
Vostermans Ventilation B.V.
Venlo - The Netherlands
Tel. +31 (0)77 389 32 32
ventilation@vostermans.com
www.vostermans.com

Vostermans Ventilation Inc.
Bloomington, IL - USA
Tel. +1 309 827-9798
ventilation@vostermansusa.com
www.vostermansusa.com

Vostermans Ventilation S.A.R.L.
Evreux Cedex - France
Tel. +33 (0)2 32 38 11 00
ventilation@vostermansfrance.com
www.vostermans.com

Vostermans Ventilation Sdn. Bhd.
Tmn Klang Jaya, Malaysia
Tel. +60 (0)3 3324 3638
ventilation@vostermansasia.com
www.vostermansasia.com

Galvanized Box Fans



Galvanized Box Fans: flexible application possibilities

As “Specialist in Air” Vostermans Ventilation has more than 60 years experience with developing and producing fans with in-house produced motors for the (agricultural) market. The fans are highly rated worldwide because of their durability, efficiency and reliability.

With the extensive program of Galvanized Box Fans, Vostermans Ventilation offers a wide range of possibilities for efficient ventilation of livestock houses or factories. The products are characterized by their various dimensions and motors, allowing an adequate solution for each ventilation demand.

The extensive motor line, developed and produced in-house, facilitates applications in different areas worldwide.

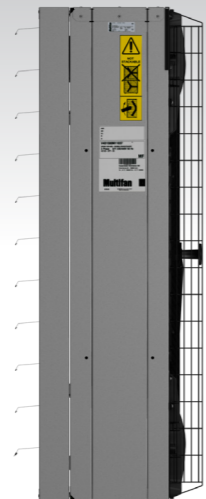
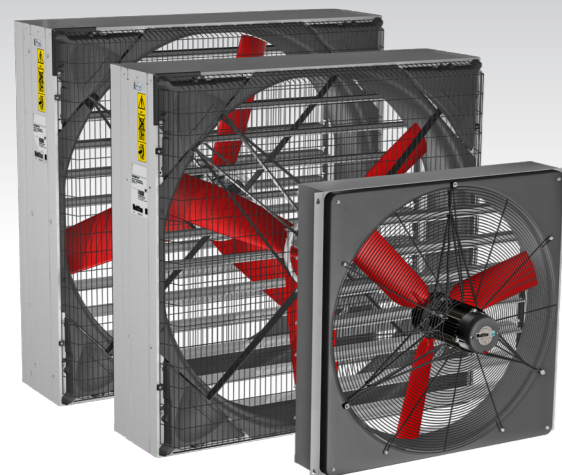
Because of the aerodynamic design of the Galvanized Box Fans, effective and efficient ventilation is guaranteed.

Depending on the customer demands, the Galvanized Box Fan offers the solution for higher pressure applications or when high air volumes are desired.

Facts and advantages

- Aerodynamic construction and special aerofoil design of the blades and inlet radius
- Low energy consumption
- Compact design en dirt-repellent material
- Stable construction with high-grade, coated and corrosion resistant parts
- In-house developed and produced motors

- Optimal motor-impeller combinations, which can be applied worldwide
- Guaranteed efficient air flow, measured in our own windtunnel and external test facilities (amongst others BESS Labs)
- Low costs
- Less maintenance and improved hygiene
- Long lifetime
- Proven reliability, high efficiency and applicable in the most extreme circumstances



Airflow

Multifan means quality

Durable, reliable motor

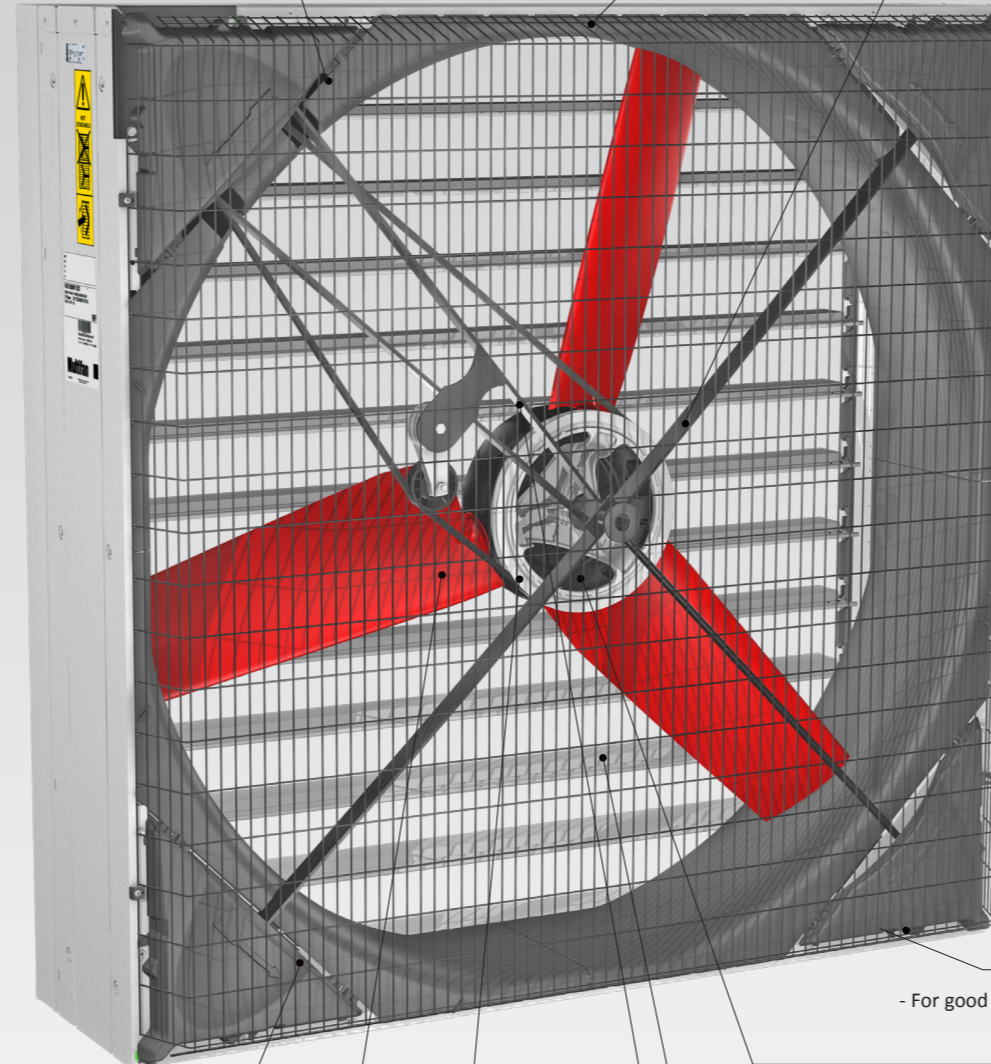
- In-house developed and produced motors
- Long lifetime
- Applicable in extreme circumstances
- Various versions: IE2 and IE3 motors
- 3 years warranty

Corrosion resistant materials

- Aggressive climate resistant
- Special coating enables excellent corrosion resistance

Stable construction

- Strong lattice construction
- The light fan construction enables minimal airflow disruption
- Vibrations are captured



Drainage holes

- For good cleaning and corrosion prevention

Simple to mount nylon hub

- Variable number of blades possible
- Flexible construction, which fullfills specific customer needs in terms of pressure and air

Shutters with low air resistance

- Functions optimally under extreme conditions
- Interconnected louvers for uniform opening
- Magnet construction, which keeps the shutter closed
- Hinges fitted with special slide bearings
- Minimal sound pressure level through damping strip

Maintenance free V-belt and belt tensioner*

- Effective drive mechanism of the impeller
- Extended lifetime of the drive mechanism
- Optimal motor-impeller combination
- Captures torques at startup

* V-belt tensioner is only applied for the Galvanized box fan 140

Specially shaped plastic radius

- Reduction of the air resistance
- Flexible suspension (for capturing temperature changes)
- Resistant against UV-radiation

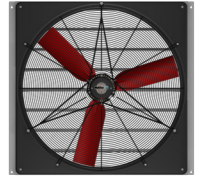
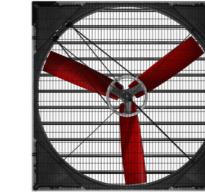
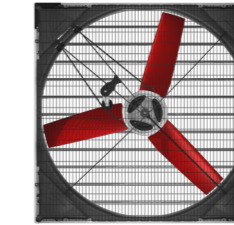
Unique aerodynamic blades

- Three-dimensional aerofoil design of the blades
- Special air guidance strips for higher efficiency
- Durable polypropylene with fiberglass blades

Abrasion resistant aluminum blade-pulley

- Reliable to use
- Optimal bearings in the center of gravity
- Reduced wear at load

Galvanized box fans: specific versions possible



Galvanized Box Fan 140

Because of the increasing demand for high air volumes and pressures, Vostermans Ventilation extended the line with the Galvanized Box Fan 140. This fan also has the same qualitative properties as the Galvanized Box Fan 130.

Galvanized Box Fan 130

The proven reliability of the Galvanized Box Fan 130 provides a guaranteed high air volume against a low energy consumption.

The fan is a perfect application for moving large quantities of fresh air.

Galvanized Box Fan 92

For minimum ventilation, Vostermans Ventilation offers a Galvanized Box Fan 92. The fan is characterized by a direct driven impeller, a compact design and is delivered as a complete unit. The fan can also be delivered with a controllable motor. Of course this fan also has the same excellent product features as the Galvanized Box Fan 130 and 140.

Options

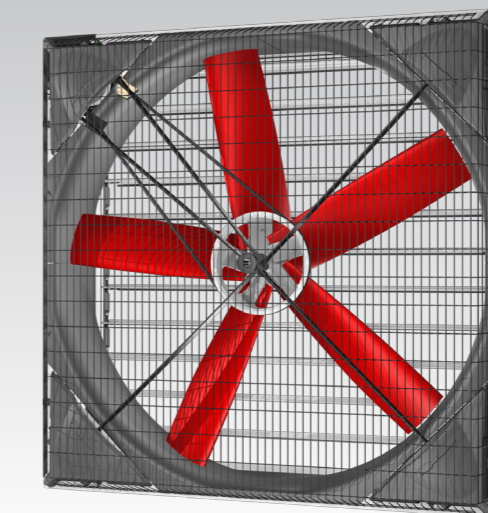
The Multifan Galvanized Box Fans can be delivered in many versions:

- Various motors for different areas worldwide
- Various shutter options (blowing side/suction side)

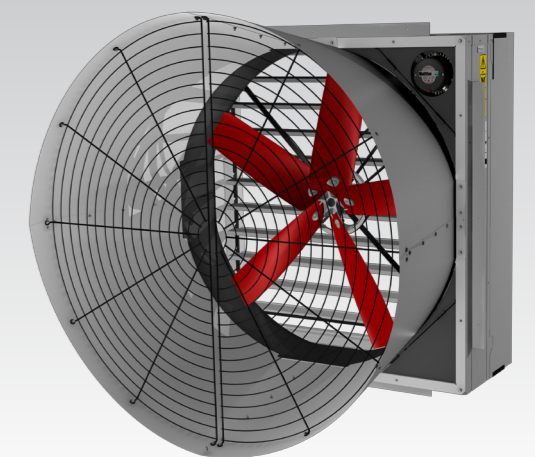
- Various wireguard options (blowing side/suction side/CE-wireguard/in-between wireguard)

- A Galvanized Cone Fan is also possible

Please contact our company in your area for detailed, technical specifications.



For applications under higher pressure Vostermans Ventilation offers Galvanized Box Fans with multiple blades



Vostermans Ventilation also has Galvanized Cone Fans in the program, see the brochure “Galvanized Cone Fans”