



### Technical data

Voltage	U	230	V
Phase		1	~
Frequency		50	Hz
Speed		920	RPM
Power consumption	P <sub>e</sub>	580	W
Nominal current	I	2.8	A
Maximum current	I	3.2	A
Capacitor		16/400	μF
Ambient temperature	T <sub>amb min/max</sub>	-25...40	°C
Insulation Class		CLF	
IP Class Fan		IP55	
Weight		17.8	kg

### Fan details

Impeller blades	3
Impeller type	8
Impeller system	G
Impeller material	PG

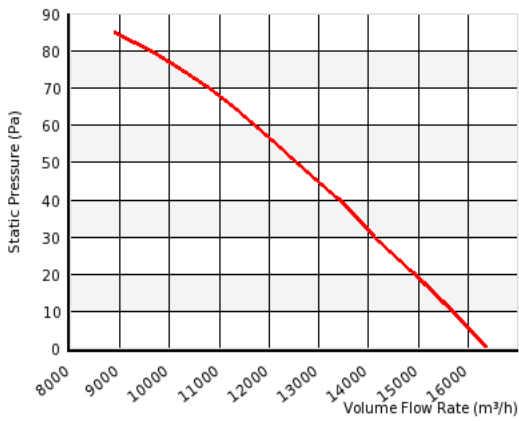
### Control options

Triac controller	Yes
Transformer	Yes
Frequency drive	No
Intelligent Fan Drive	Yes

\* All control options including single phase control frequency are available. Please contact Vostermans Ventilation Sales for more information

### Characteristics

0 Pa 16400 m<sup>3</sup>/h  
 50 Pa 12500 m<sup>3</sup>/h



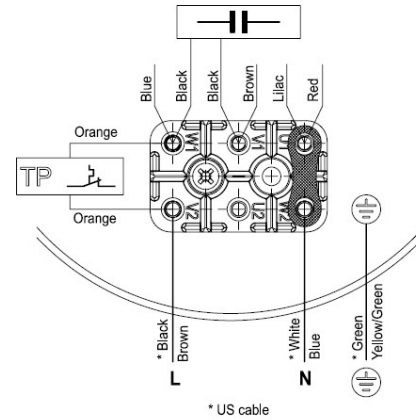
Please note: Picture may deviate from original product

Approval(s)



### Wiring diagram - Fan

AA01 - CCW



### Dimensions

