

## EQUIPMENT

# EM36

- Fan housing and venturi made of strong galvanised sheet-steel
- Shutters are made of pressed galvanised steel in order to ensure highest strength
- Each motor is individually tested for 100% quality control
- Central hub and v-belt pulley are made from die-cast aluminium
- Propeller is statically and dynamically balanced
- Shutter bearings are maintenance free
- Patented centrifugal system permits a fully and firm opening of the shutter
- Shutter is opened by rotating weights placed over centrifugal system arms
- Shutter opening is not affected by the weight of dust deposited on shutter blades
- A powerful couple of springs keep the shutters firmly closed when the fan is not operating
- Every fan is individually checked for quality

# EM36

## Exhaust fan

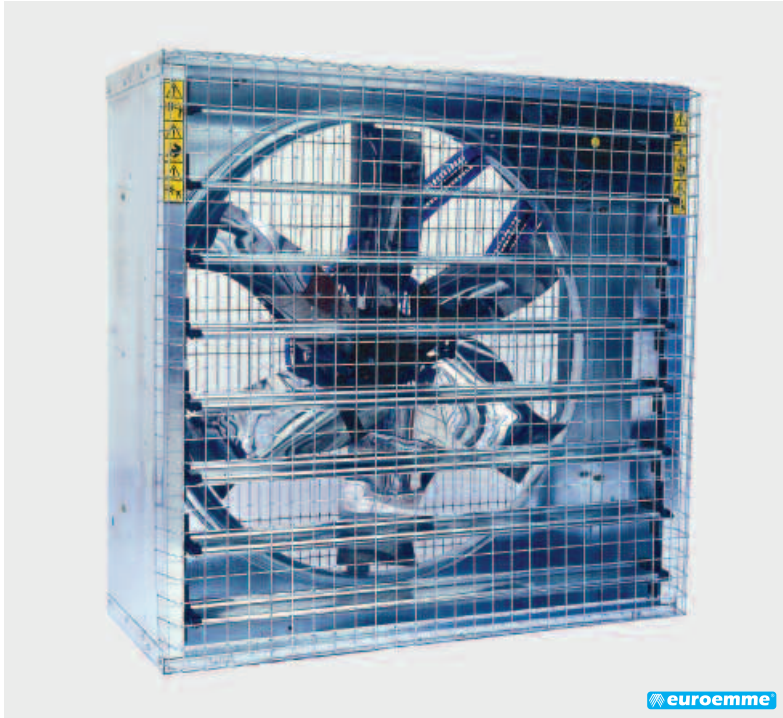


Photo shows fully equipped fan EM36.

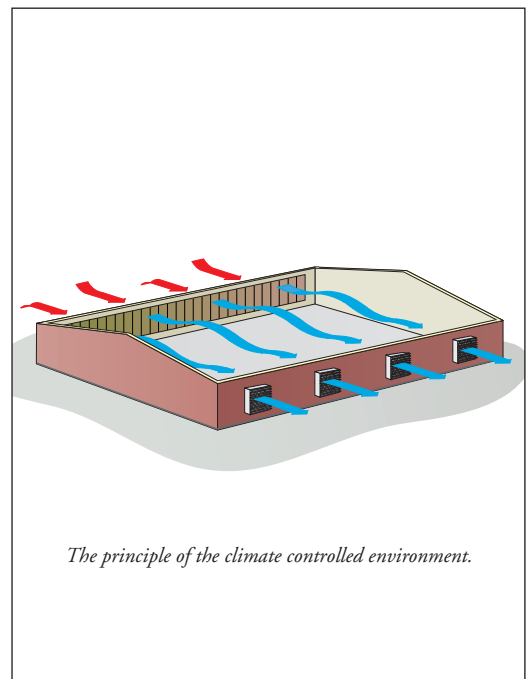
EM36 is the ideal exhaust fan whenever high airflow capacity is required. The unique propeller design is self-cleaning and allows the highest efficiency to be reached.

The square fan housing and air conveyor (venturi) are made of a strong galvanised sheet-steel. The 6-blade propeller is statically and dynamic balanced for low noise and low vibration. The propeller is available in stainless steel, galvanised steel and pre-coated and galvanised steel.

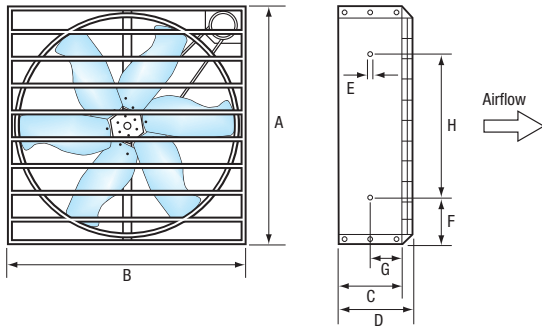
To improve aerodynamic efficiency, the fan has been developed in Munters Italy's R&D lab. The test chamber has been built according to ANSI/AMCA 210-85 Figure 15 specifications. Construction details and airtightness have been verified by personnel of the BESS Lab at the Agricultural Engineering Department, University of Illinois – USA.

### Propeller and shutter

The propeller is attached to a large v-belt pulley in which is embedded a double ball bearing protected against water. The belt transmission ensures low propeller rpm, which ensures high efficiency and low energy consumption as well as low noise. The shutter is made of galvanised steel for all models, which is stronger than aluminium and plastic. The fan shutter is tightly closed when the fan is not working preventing any air leakage through the fan. The patented centrifugal system hinders the shutter from being closed by air pressure, keeping the efficiency of the fan at a peak at all times by keeping the shutter fully and firmly opened. The shutter does not have to be cleaned regularly as dust does not affect its opening and closing movement. All the plastic parts are made of acetalic plastic with UV protection.

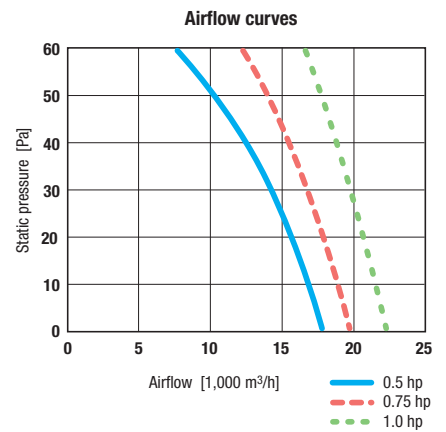


The principle of the climate controlled environment.



Dimensions [mm]			
Main			
A	B	C	D
1090	1090	450	530
For mounting			
E	F	G	H
M8	245	305	600

D depth refers to the fan with supplementary CE shutter safety mesh.



Curves refer to EM36 3Ph 50 Hz single speed motor. Fan tested with shutter and wire mesh.

## Motor specifications

EM36 Code	Nominal power		Type phases	Speed	Frequency [hz]	Voltage [V]	Current [A]	rpm
	[W]	[hp]						
a	370	0.5	1	single	50	230	3	1,380
b	370	0.5	1	multi*	50	230	3	1,380
c	370	0.5	1	single	60	220-240	3.3	1,700
d	370	0.5	3	single	50	230/400	2.3/1.3	1,400
e	370	0.5	3	single	60	230/400	2.3/1.3	1,700
f	370	0.5	3	multi*	50	230/400	3/1.7	1,380
g	370	0.5	3	multi*	60	230/400	3/1.7	1,670
h	550	0.75	1	single	50	230	4	1,400
i	550	0.75	1	multi*	50	230	4	1,400
k	550	0.75	1	single	60	220-240	4.4	1,700
l	550	0.75	3	single	50	230/400	2.8/1.6	1,400
m	550	0.75	3	single	60	230/400	2.8/1.6	1,700
n	550	0.75	3	multi*	50	230/400	3.7/2.1	1,380
o	550	0.75	3	multi*	60	230/400	3.7/2.1	1,650
p	735	1.0	1	single	50	230	5	1,380
q	735	1.0	1	multi*	50	230	5	1,380
r	735	1.0	1	single	60	220-240	5.7	1,700
s	735	1.0	3	single	50	230/400	3.5/2	1,400
t	735	1.0	3	single	60	230/400	3.5/2	1,700
u	880	1.2	3	multi*	50	230/400	4.3/2.5	1,380
v	880	1.2	3	multi*	60	230/400	4.3/2.5	1,600

\* Multi speed motors must be regulated with auto-transformer which is not supplied.

## Technical specifications

	0.5 hp	0.75 hp	1.0 hp
Weight of fully equipped fan <sup>1</sup> [kg]	64	65	67
Nominal propeller speed [rpm]	460	510	580
Airflow at 0 Pa <sup>1</sup> [m³/h] [cfm]	17,900 [10,535]	19,880 [11,700]	22,250 [13,095]
Airflow at 20 Pa <sup>1</sup> [m³/h] [cfm]	15,700 [9,240]	17,930 [10,550]	20,750 [12,210]
Specific performance at 0 Pa <sup>1</sup> [m³/wh] [cfm/wh]	25.1 [14.8]	22.3 [13.1]	18.5 [10.9]
Propeller diameter [mm] [inch]	915 [36]		
Number of blades	6		
Number of shutter blades	8		
Max operating temperature [°C] [°F]	50 [122]		
IEC protective class of electric motor	IP55		
Electric motor winding insulation grade	F		

<sup>1</sup>All values refer to 3 phases 50 Hz single speed motor.

N.B. Airflow data are measured at standard condition (20 °C, 1013 hPa).

EM36 is developed and produced by Munters Italy S.p.A., Italy.



Munters, HumiCool Division, Isafjordsgatan 1, P.O. Box 1150, SE-164 26 Kista, Sweden. Phone +46 8 626 63 00, Fax +46 8 754 56 66.

Munters Italy S.p.A., Strada Piani 2, IT-18027 Chiusavecchia, Italy. Phone +39 0183 52 11, Fax +39 0183 521 333.

www.munters.com

**Australia** Munters Pty Limited, Phone +61 2 6025 6422, **Brazil** Munters Brasil Industria e Comercio Ltda, Phone +55 41 3317 5050, **Canada** Munters Incorporated, Phone +1 905 858 5894, **China** Munters Air Treatment Equipment (Beijing) Co. Ltd., Phone +86 10 80 481 121, **Denmark** Munters Turbovent, Phone +45 9862 3311, **Finland** Munters Oy, Phone +358 9 83 86 030, **France** Munters France S.A., Phone +33 1 34 11 57 50, **Germany** Munters Euroform GmbH, Phone +49 241 89 00 0, **India** Munters India, Phone +91 20 3052 2520, **Indonesia** Munters, Phone +62 21 9105 4467, **Italy** Munters Italy S.p.A., Chiusavecchia Phone +39 0183-52 11, Munters Italy S.p.A., Mondovi Phone +39 0174 560 600, **Japan** Munters K.K., Phone +81 3 5970 0021, **Kingdom of Saudi Arabia and Middle East** Hawa Munters, Phone +966 1 241 8808, **Korea** Munters Korea Co. Ltd., Phone +82 2 761 8701, **Mexico** Munters Mexico, Phone +52 818 262 54 00, **Russia** Munters Europe AB, Phone +7 812 448 5740, **Singapore** Munters Pte Ltd., Phone +65 744 6828, **South Africa and Sub-Sahara Countries** Munters (Pty) Ltd., Phone +27 11 997 2000, **Spain** Munters Spain S.A., Phone +34 91 640 09 02, **Sweden** Munters Europe AB, Phone +46 8 626 63 00, **Thailand** Munters Co. Ltd., Phone +66 2 645 2708 12, **United Kingdom** Munters Ltd., Phone +44 845 644 3980, **Turkey** Munters Form Endüstri Sistemleri A.Ş., Phone +90 322 231 13 38, **USA** Munters Corporation Fort Myers Phone +1 239 936 1555, Munters Corporation Mason Phone +1 888 335 0100, **Vietnam** Munters Vietnam, Phone +84 8 825 6838, **Export & Other countries** Munters Europe AB, Phone +46 8 626 63 00.

Your closest distributor