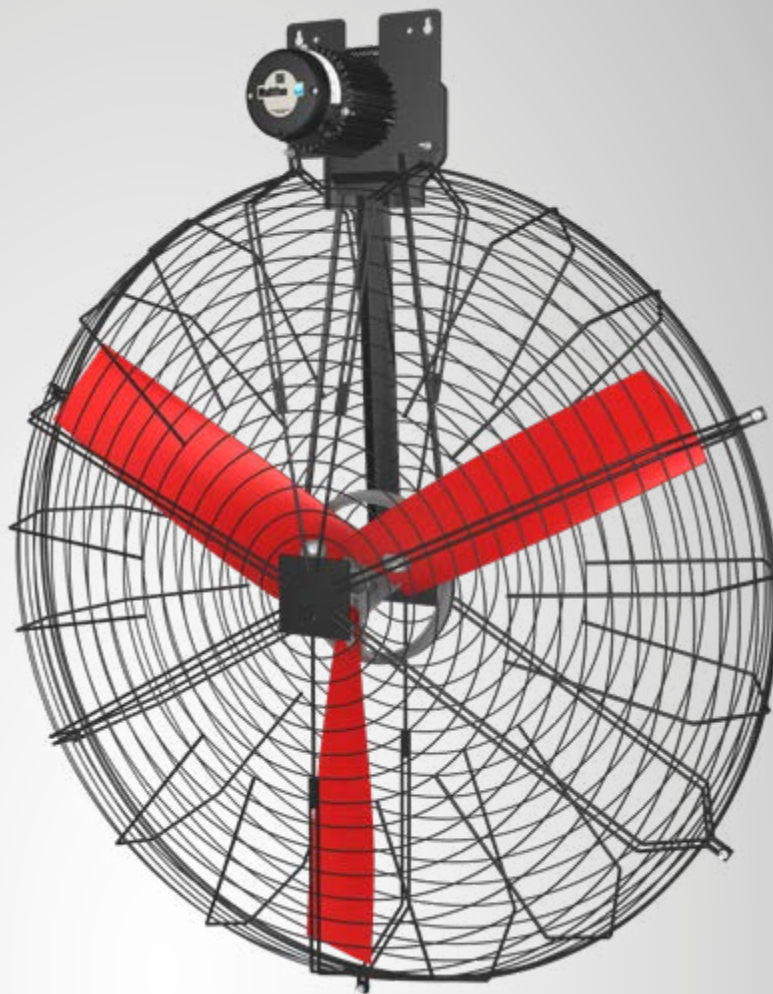


Multifan



Dairy Fans

For preventing heat stress



VOSTERMANS
VENTILATION

YOUR SPECIALIST IN AIR

Dairy Fans

For preventing heat stress

A good barn climate is essential for optimum cow comfort, healthy condition and high productivity. Choosing the most favorable ventilation to create uniform climate conditions all year round is key. In summer the need for ventilation is evident: above 22-25 degrees a cow becomes heat stressed, she will eat less feed and produce significantly less milk. Other side effects often seen in heat stressed animals are reduction in fertility, increase in embryonic loss and more cases of clinical mastitis. With our successful Dairy fan, you can protect your milk quality and yield by creating fresh air around the cows.



Why choose this fan:

- Less 'heat stress' for dairy cows
- Keeps milk production high in summer times
- Limited disturbance in the building
- Easy to manage at low costs
- Rapid pay back time
- Improved air circulation and distribution
- Easy installation and maintenance
- High durability: 3 year warranty on the motor

Features:

- High level of air movement: up to 46.300 m³/h at 0 Pa
- High throw up to 142 meters
- Frequency and transformer controllable
- Recommend one fan every 12/14 meters
- High efficiency: 15,7 Watt /1000 m³/h
- Low noise level to keep cows calm (55 dB)
- IP55 motor (water and dust resistant)

Option:

- Fastening set for easy installation (2 chains, 7 meters each and fastening hooks)



Other ventilation solutions for dairy barns:

Basket Fans

Not all of the dairy barns are high enough to install our 130 cm Dairy Fan. For these barns we have the 50, 63, 71 and 92 cm Basket Fans available. Smaller in size, but with the same working principle as the 130 cm Dairy Fan. Naturally the 130 cm Dairy Fan can also be combined with the 50, 63, 71 and 92 cm Basket Fans.

Ceiling Fan

The Ceiling Fan PV600 is ideal for milking rooms. The fan creates a gentle air movement around the cows. This results in less heat stress and reduces the number of flies around the cows.

Please, contact our Vostermans Ventilation team for technical details about the Basket Fans or Ceiling fan PV600.



Dairy Fan 130 cm



Basket Fan (50 / 63 / 71 / 92cm)



Ceiling Fan PV600



Multifan products are well-known for consistent high quality, durability and longevity with worldwide availability. Our motors are produced in-house, and optimal motor-impeller combination ensure energy efficient fans and high performance fans.

Service

Our well trained dealer network on a location near you will provide advice and service. They can work with you defining your specifications at the start of your project, support you with the installation and maintain your equipment after installation. When needed, the Vostermans Customer Care team is available for additional support. We enjoy sharing our knowledge, based on more than 65 years of experience in agriculture ventilation.

Technical data

Power supply			Item	I _{nom} (A)	P _{in} (W)	Q _v @0 Pa (m/h)*	SFP (W/1000m ³ /h)	Controllability**	L _{pa} dB (A)***	Throw (m)****	Weight (kg)	Dimensions packaging (l x w x h) in mm
1~	230V	50Hz	K4E13A0M11100	5,3	1.100	46.300	23,7	-	61	142	39,1	1135 x 310 x 373
3~	230/400V	50Hz	K4D13B1M11100	2,5/1,4	630	40.100	15,7	T/FC	55	123	38,7	1135 x 310 x 373
1~	240V	60Hz	K4E13K0M11100	4,7	1.050	46.000	22,8	-	62	142	32,4	1135 x 310 x 373
3~	240/420V	60Hz	K4D13K1M11100	3,7/2,2	1.150	45.800	25,1	T/FC	62	141	34,8	1135 x 310 x 373

* Electrical and air technical data are performed according AMCA standard 230-99.

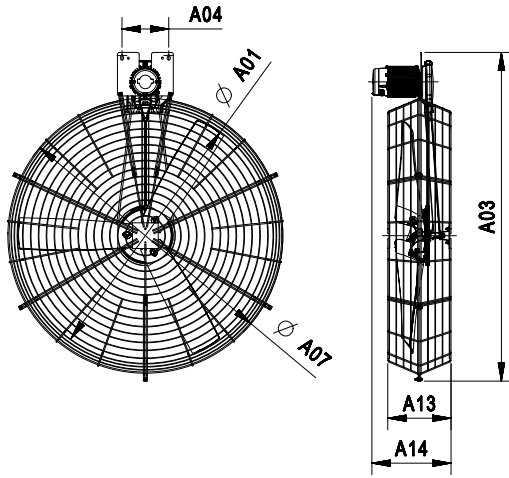
** Controllable by Transformer (T).

*** Sound pressure level at 7 meter free blowing distance.

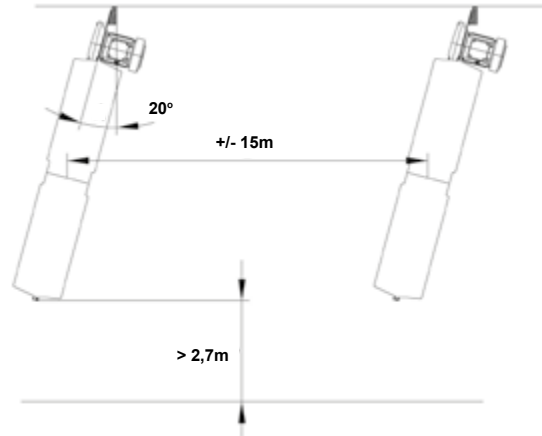
**** Throw is the distance at which the peak velocity has fallen to 0,5 m/s (measured in an infinite room without obstructions).



Dimensions



Preferred setup



Dimensions (mm)						
	A01	A03	A04	A7	A13	A14
1300	1284	1662	236	1390	320	400

Why choose Vostermans Ventilation:

LOYAL TO YOU

We care for your specific needs based on our long expertise. In close cooperation with you we secure your business outcomes.

RELIABLE

Since our foundation in the Netherlands in 1952, we maintain our reputation as reliable partner. Our carefully selected global network of independent distributors strive to deliver you dedicated service and expertise.

FUTURE PROOF

Our future proof approach, which combines energy efficiency solutions with robust quality and rigorous testing, is based on a genuine commitment to serve as a trusted partner.

Vostermans Ventilation is a global developer and manufacturer of sustainable axial fans for the agricultural and industrial market. Sustainability is key for Vostermans. Their premium brandlines Multifan and EMI are showcasing the drive for advanced energy efficient fans. The company applies continuous innovation and research in their own motor production facility and in house state of the art R&D department. Vostermans Ventilation, part of Vostermans Companies founded in 1952, is based in Venlo, the Netherlands and operates in USA, China and Malaysia.



YOUR SPECIALIST IN AIR

All rights reserved. Vostermans Companies is not responsible for inaccurate or incomplete data. In case of any questions and / or remarks please contact ventilation@vostermans.com. Subject to alterations 02/2019

Venlo - The Netherlands
Tel. +31 (0)77 389 32 32
ventilation@vostermans.com

Bloomington, IL- USA
Tel. +1 309 827-9798
ventilation@vostermansusa.com

Tmn Klang Jaya - Malaysia
Tel. +60 (0)3 3324 3638
ventilation@vostermansasia.com

Shanghai - China
Tel. +86 21 5290 2889/2899
ventilation@vostermanschina.com