



Technical data

Voltage	U	230/400	V
Phase		3	~
Frequency		50	Hz
Speed		425	RPM
Power consumption	P _e	630	W
Nominal current	I	2.5/1.4	A
Maximum current	I	2.6/1.5	A
Capacitor		-	μF
Ambient temperature	T _{amb min/max}	-25...40	°C
Insulation Class		CLF	
IP Class Fan		IP55	
Sound pressure level at 2 m	L _p	63	dB(A)
Weight		43.0	kg

Fan details

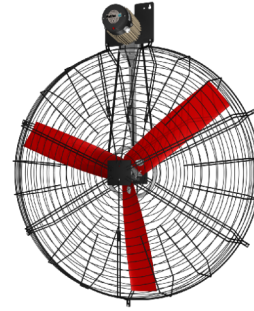
Impeller blades	3
Impeller type	10
Impeller system	N
Impeller material	PG

Control options

Triac controller	No
Transformer	Yes
Frequency drive	Yes
Intelligent Fan Drive	Yes

Characteristics

0 Pa	40100 m ³ /h
------	-------------------------



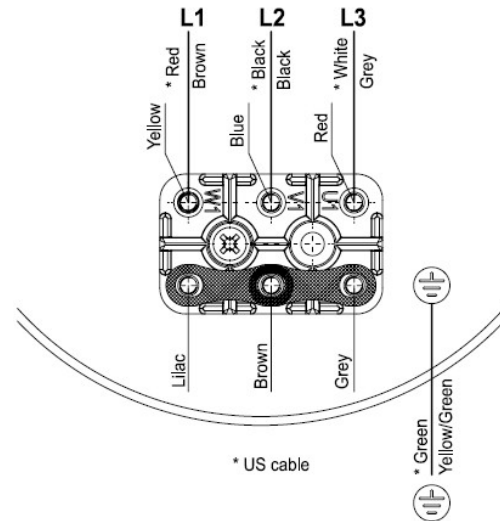
Please note: Picture may deviate from original product

Approval(s)

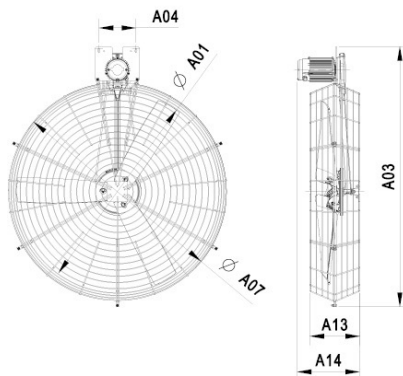


Wiring diagram - Fan

AB01 - 3 Phase - Star connected - CCW



Dimensions



A01:	1284 mm
A03:	1662 mm
A04:	236 mm
A07:	1390 mm
A13:	320 mm
A14:	400 mm