

LUBING

Drinking Systems

Spare Parts Lists
Ball Tank



Document data

File name: 0911_Spare parts list for ball tank

Version: 1.3

First issued: 31.03.2005

Last modification: 20.03.2018

Dear Reader,

Permanent development of our products and innovative new designs mean that our assembly and operating instructions as well as spare parts sheets are regularly updated. If you have any queries, please contact us or your LUBING dealer.

Current status online at: www.lubing.com

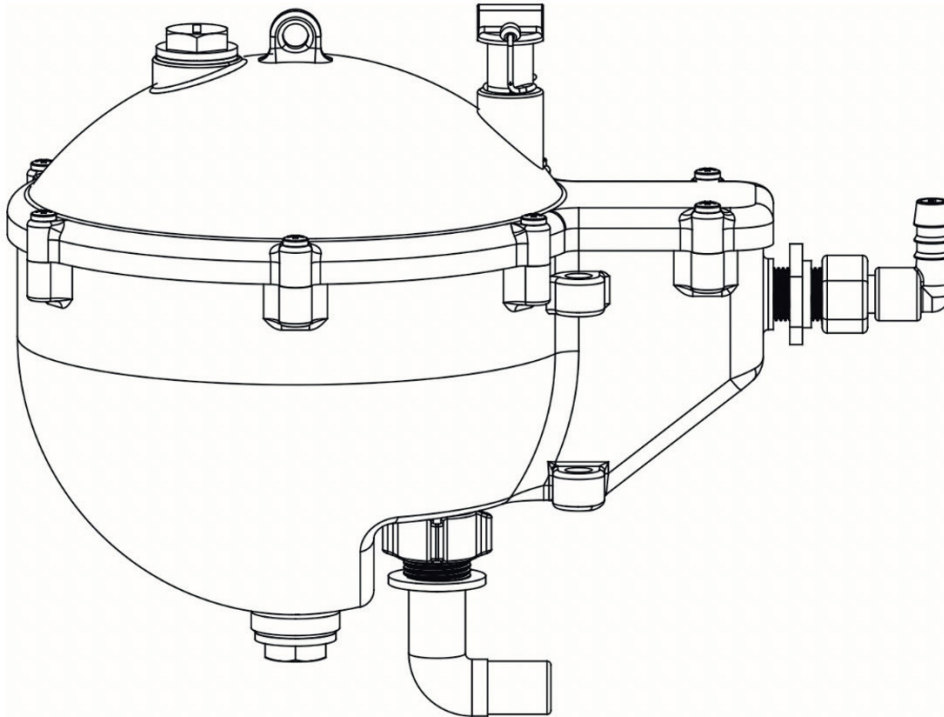
©2018 Lubing System srl.

All rights reserved. Reprints, incl. excerpts thereof, only with authorisation of the company.

INDICE

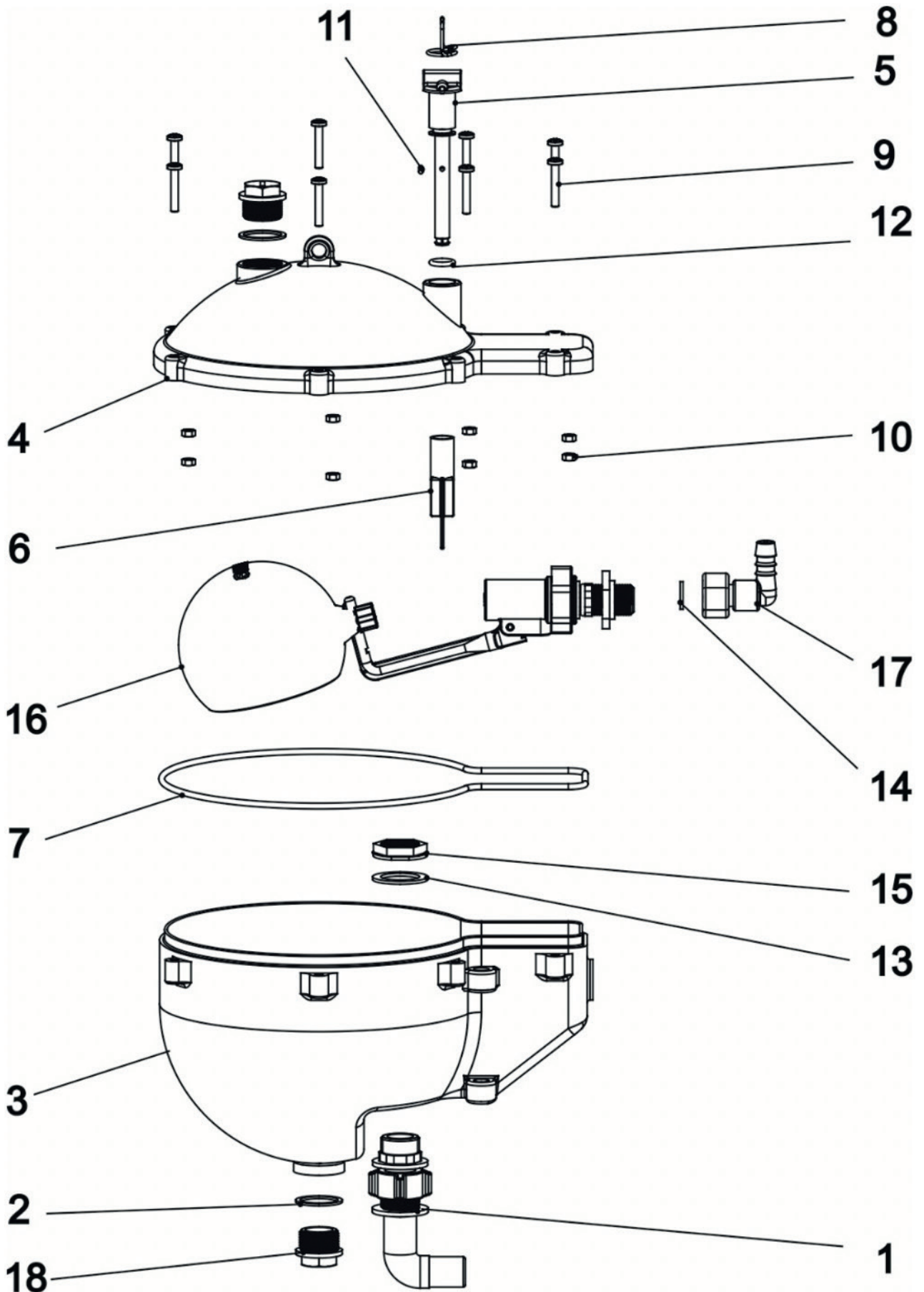
1. Item No. 4206-00 – Ball tank with flush system, 1 outlet (cage).....	5
2. Item No. 4207-00 – Ball tank with flush system, 2 outlets, for middle connection (cage).....	7
3. Item No. 4221-00 – Ball tank with flush system, 1 outlet (floor management).....	9
4. Item No. 4223-00 – Ball tank with flush system, 2 outlets, for middle connection (floor management).11	
5. Item No. 4254-01 – Ball valve red.....	13
6. Item No. 4254-1-01 – Ball valve red without float ball.....	14

1. Item No. 4206-00 – Ball tank with flush system, 1 outlet (cage)

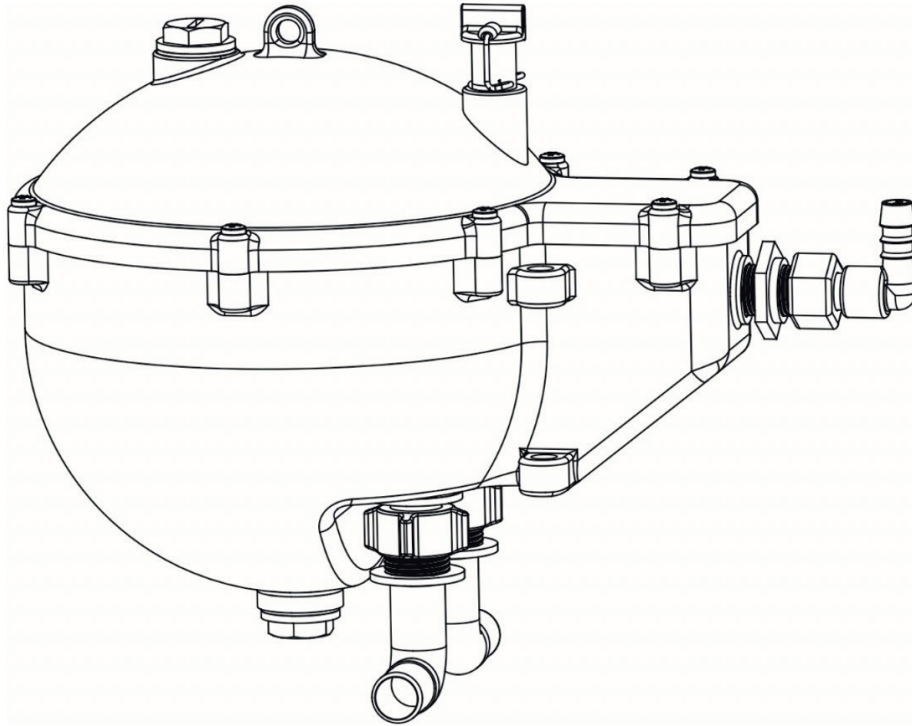


POS.	DESCRIPTION	ITEM NO.
1	Outlet elbow with sleeve nut yellow	001 300 41 00
2	Washer 3/4"	001 370 18 00
3	Ball tank 1 outlet yellow	001 380 03 00
4	Cover for ball tank yellow	001 380 04 00
5	Sealing ring	001 380 11 00
6	Guide piece	001 380 12 00
7	Form O-ring NBR 50	001 380 20 00
8	Security wire for ball tank	001 390 23 00
9	Pan head screw M5x30	23 84 052
10	Hexagon nut M5	25 15 304
11	Cylinder screw 3 m6x16	27 07 041
12	O-ring 12x3 NBR 50	30 02 480
13	Washer 3/4" for external thread	4212-05
14	Washer 1/2" for internal thread	4215-05
15	Plastic nut 3/4" yellow	4217-00
16	Ball valve red ▲	4254-01
17	Angle hose connector with sleeve cap 1/2"	4313-00
18	Plug 3/4" red	4377-01

▲ Assembly: for details see spare part sheet of assembly

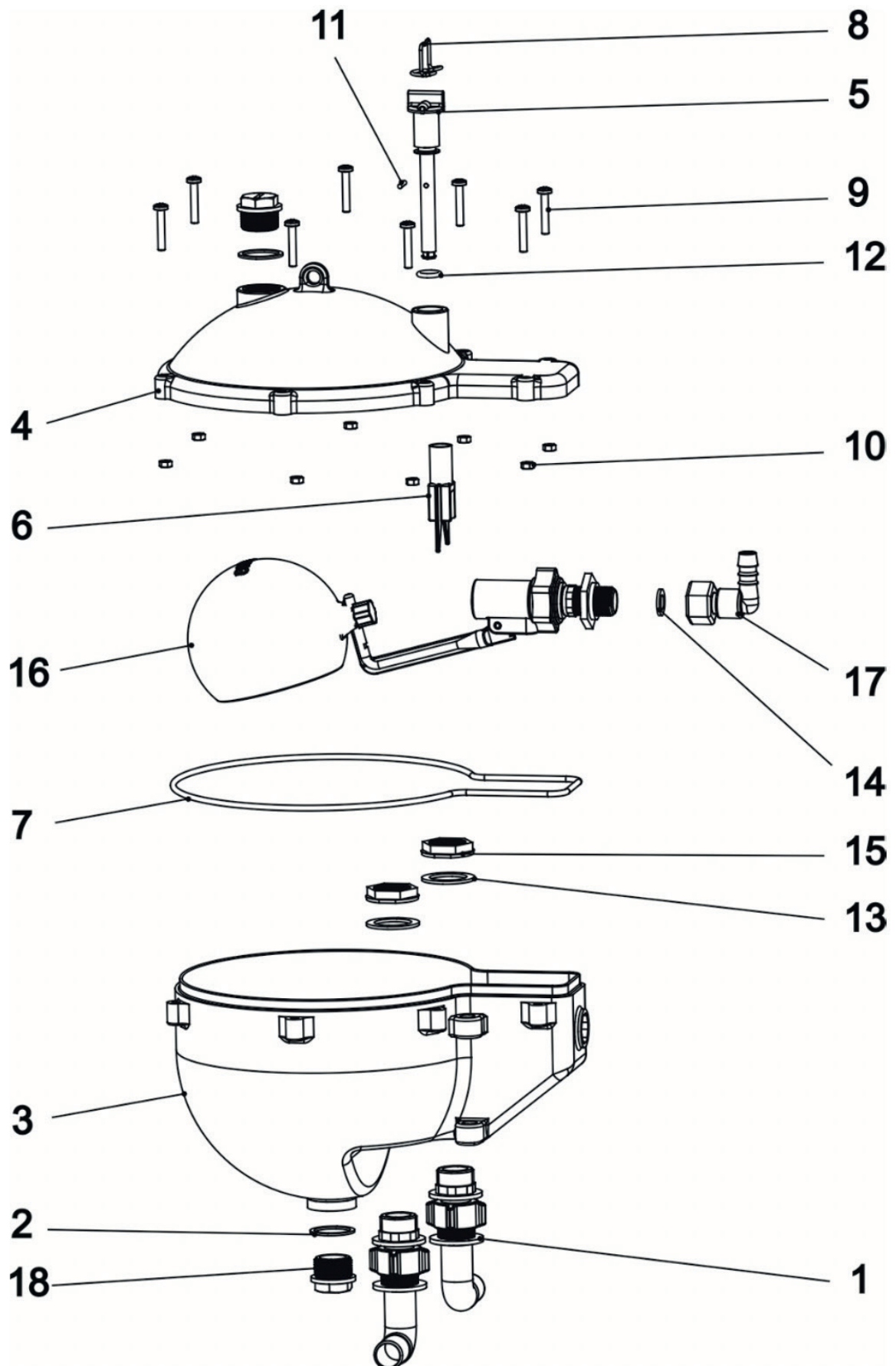


2. Item No. 4207-00 – Ball tank with flush system, 2 outlets, for middle connection (cage)

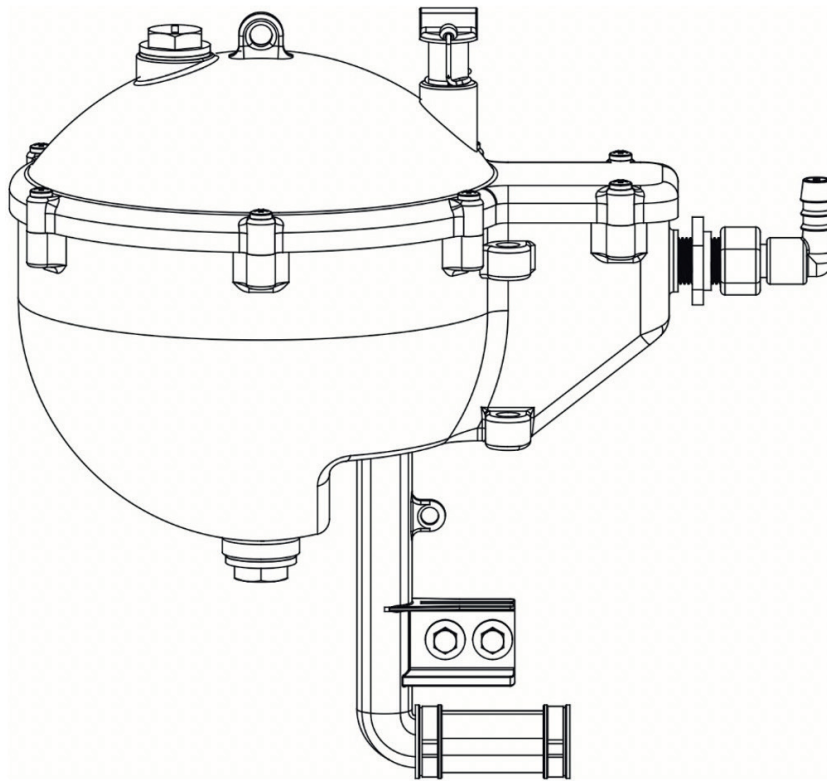


POS.	DESCRIPTION	ITEM NO.
1	Outlet elbow with sleeve nut yellow	001 300 41 00
2	Washer 3/4"	001 370 18 00
3	Ball tank 2 outlets yellow	001 380 03 01
4	Cover for ball tank yellow	001 380 04 00
5	Sealing ring	001 380 11 00
6	Guide piece	001 380 12 00
7	Form O-ring NBR 50	001 380 20 00
8	Security wire for ball tank	001 390 23 00
9	Pan head screw M5x30	23 84 052
10	Hexagon nut M5	25 15 304
11	Cylinder screw 3 m6x16	27 07 041
12	O-ring 12x3 NBR 50	30 02 480
13	Washer 3/4" for external thread	4212-05
14	Washer 1/2" for internal thread	4215-05
15	Plastic nut 3/4" yellow	4217-00
16	Ball valve red ▲	4254-01
17	Angle hose connector with sleeve cap 1/2"	4313-00
18	Plug 3/4" red	4377-01

▲ Assembly: for details see spare part sheet of assembly

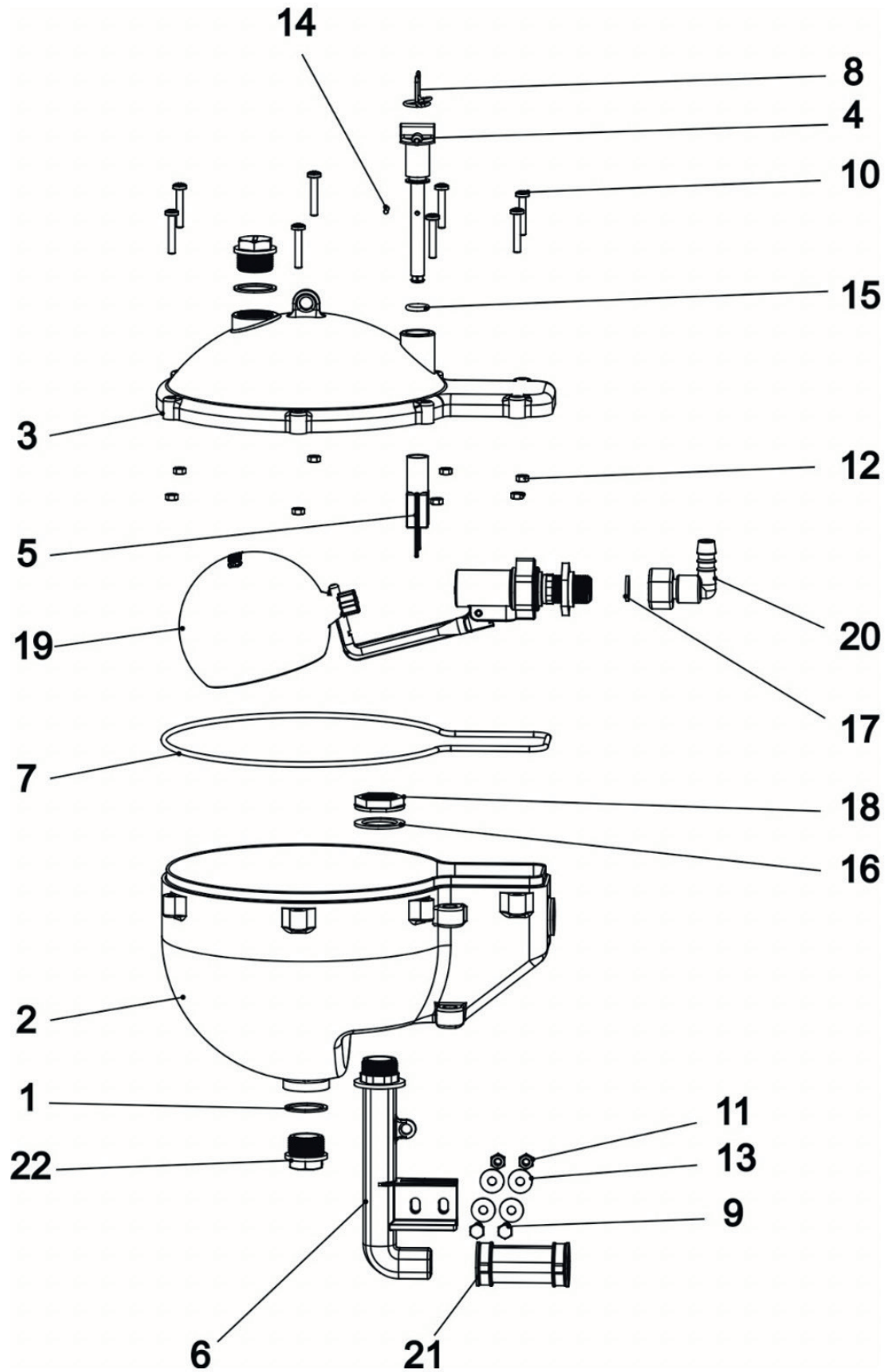


3. Item No. 4221-00 – Ball tank with flush system, 1 outlet (floor management)

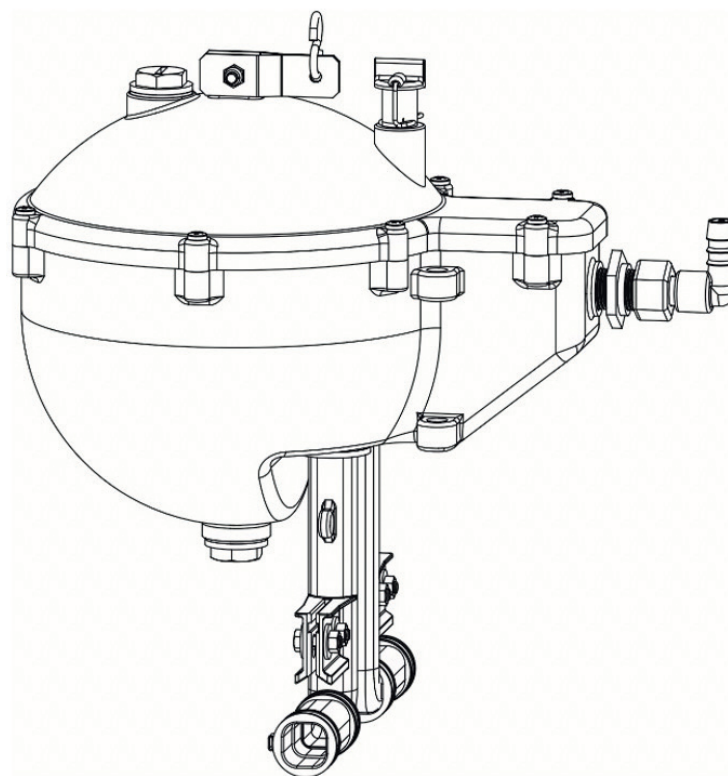


POS.	DESCRIZIONE	ART. NR.
1	Washer 3/4"	001 370 18 00
2	Ball tank 1 outlet yellow	001 380 03 00
3	Cover for ball tank yellow	001 380 04 00
4	Sealing piece	001 380 11 00
5	Guide piece	001 380 12 00
6	Outlet with bracket	001 380 13 00
7	Form O-ring NBR 50	001 380 20 00
8	Security wire for ball tank	001 390 23 00
9	Hexagon screw M6x20	21 56 069
10	Pan head screw M5x30	23 84 052
11	Hexagon nut M6	25 15 105
12	Hexagon nut M5	25 15 304
13	Washer 6,4	26 34 109
14	Cylinder screw 3 m6x16	27 07 041
15	O-ring 12x3 NBR 50	30 02 480
16	Washer 3/4" for external thread	4212-05
17	Washer 1/2" for internal thread	4215-05
18	Plastic nut 3/4" yellow	4217-00
19	Ball valve red ▲	4254-01
20	Angle hose connector with sleeve cap nut 1/2"	4313-00
21	Tube connector	4367-05
22	Plug 3/4" red	4377-01

▲ Assembly: for details see spare part sheet of assembly

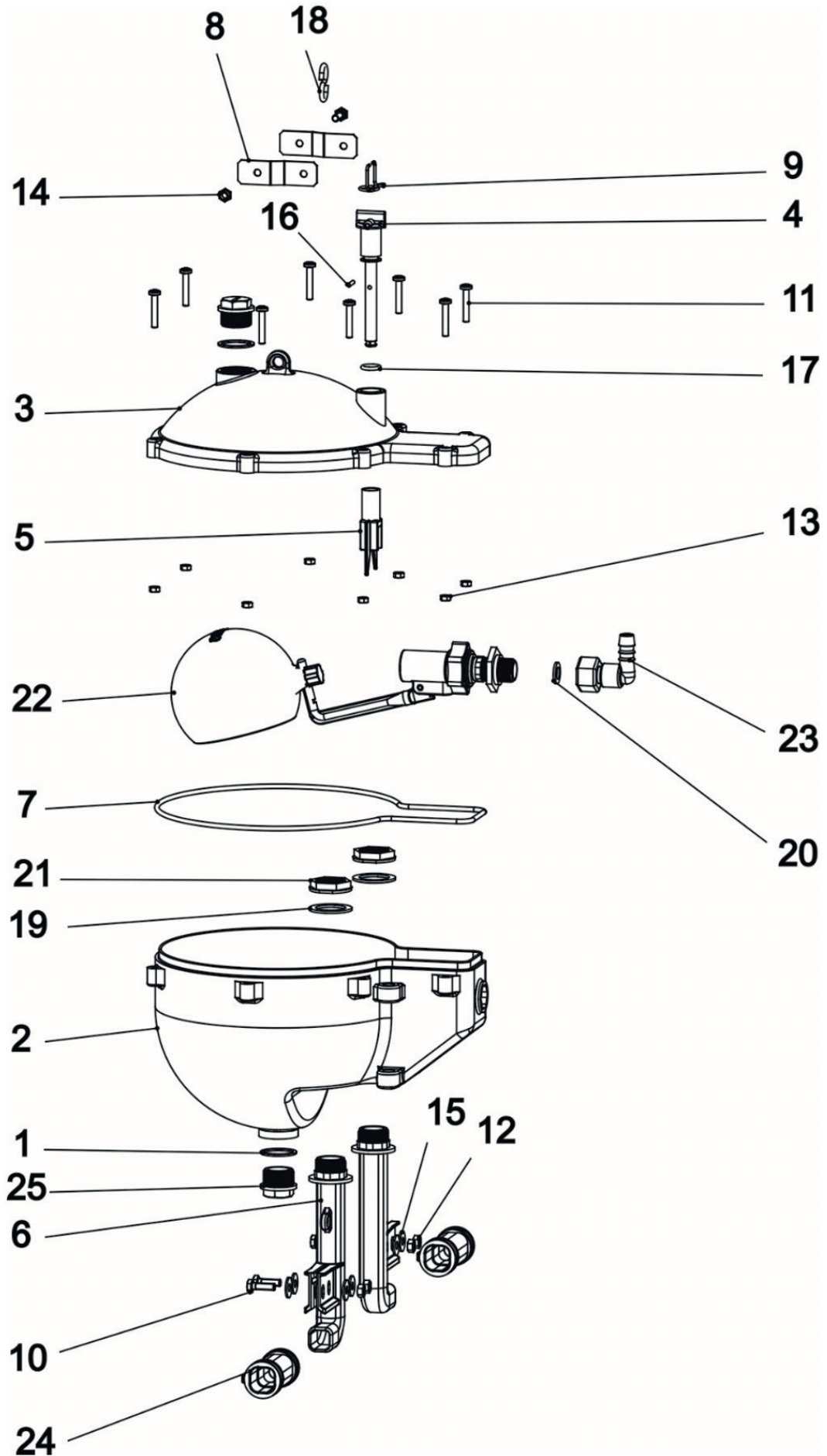


4. Item No. 4223-00 – Ball tank with flush system, 2 outlets, for middle connection (floor management)

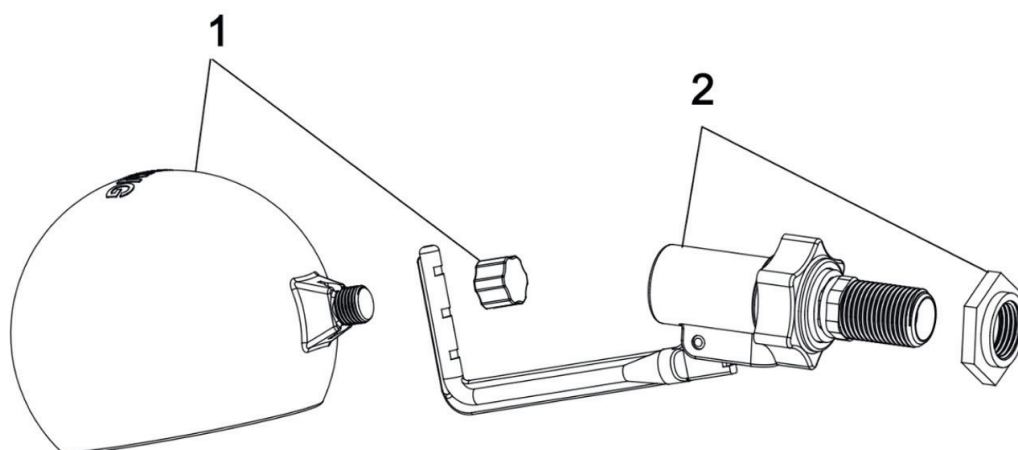
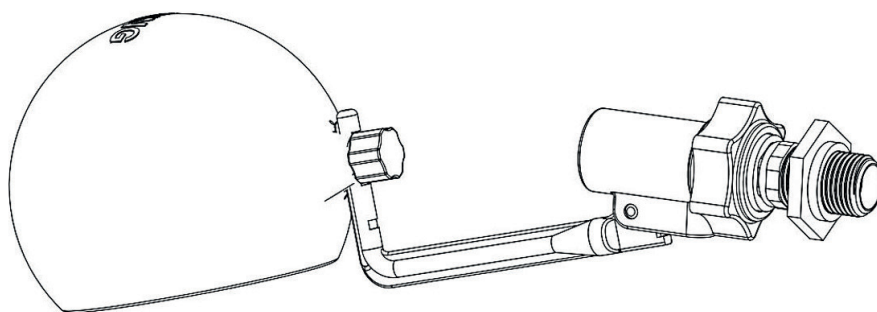


POS.	DESCRIPTION	ITEM NO.
1	Washer ¾"	001 370 18 00
2	Ball tank 2 outlets yellow	001 380 03 01
3	Cover for ball tank yellow	001 380 04 00
4	Sealing ring	001 380 11 00
5	Guide piece	001 380 12 00
6	Outlet with holder	001 380 13 00
7	Form O-ring NBR 50	001 380 20 00
8	Expension sheet	001 380 25 00
9	Security wire for ball tank	001 390 23 00
10	Hexagon screw M6x20	21 56 069
11	Pan head screw M5x30	23 84 052
12	Hexagon nut M6	25 15 105
13	Hexagon nut M5	25 15 304
14	Hexagon nut M6	25 20 105
15	Washer 6,4	26 34 109
16	Cylinder screw 3 m6x16	27 07 041
17	O-ring 12x3 NBR 50	30 02 480
18	S-hook	38 06 010
19	Washer ¾" for external thread	4212-05
20	Washer ½" for internal thread	4215-05
21	Plastic nut ¾" yellow	4217-00
22	Ball valve red ▲	4254-01
23	Angle hose connector with sleeve cap ½"	4313-00
24	Tube connector	4367-05
25	Plug ¾" red	4377-01

▲ Assembly: for details see spare part sheet of assembly



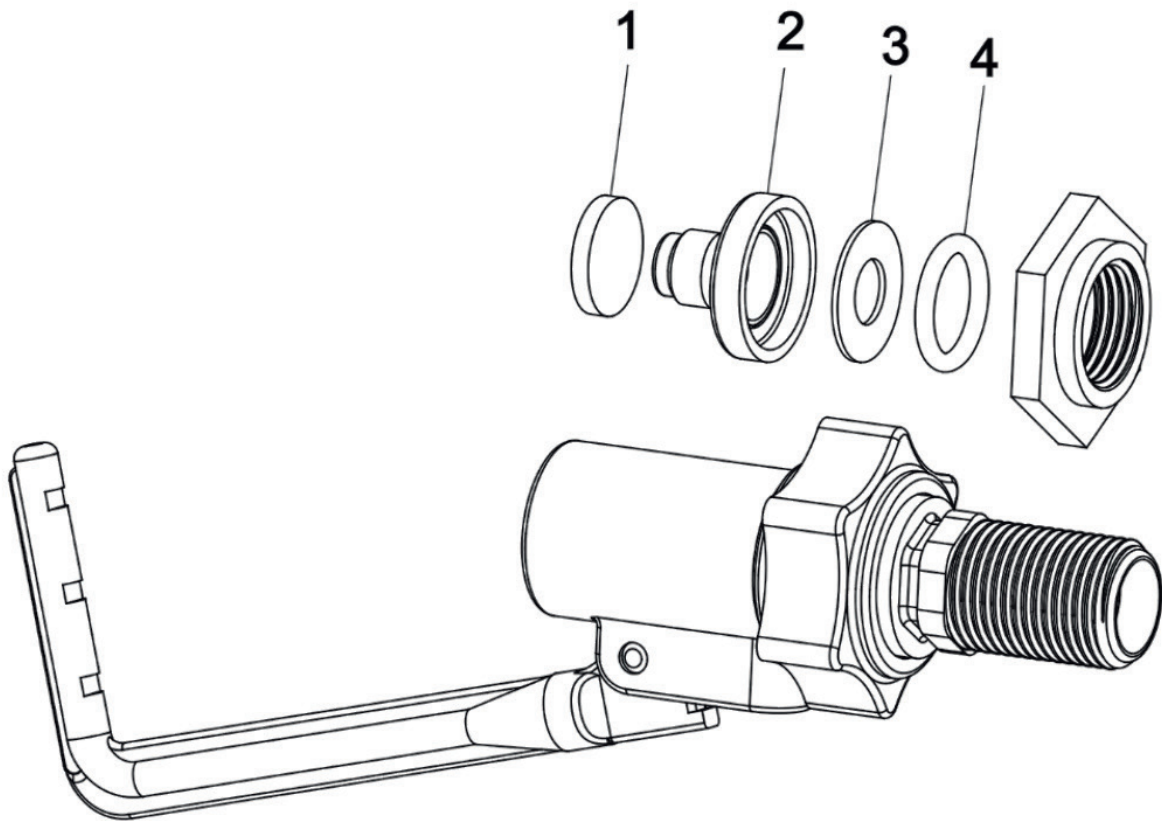
5. Item No. 4254-01 – Ball valve red



POS.	DESCRIPTION	ITEM NO.
1	Float ball with nut yellow	4204-2-00
2	Ball valve without float ball ▲	4254-1-01

▲ Assembly: for details see spare part sheet of assembly

6. Item No. 4254-1-01 – Ball valve red without float ball



POS.	DESCRIPTION	ITEM NO.
1	Piston sealing black	001 390 10 02
2	Nozzle yellow	001 390 22 00
3	Valve washer (22,5x10,5x1)	001 390 11 00
4	O-ring 16x3 NBR 50	30 02 520



Lubing System s.r.l.

Via Marco Polo, 33

35011 Campodarsego (PD) Italia

Telefono +39.049.9202290 - Fax +39.049.9201234

www.lubingsystem.com - info@lubing.it